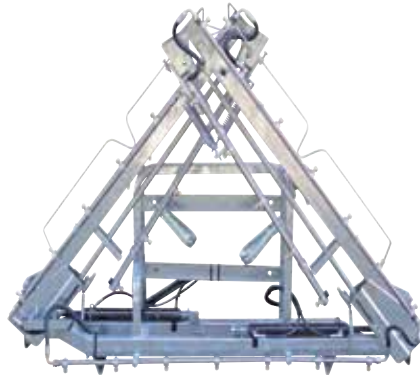


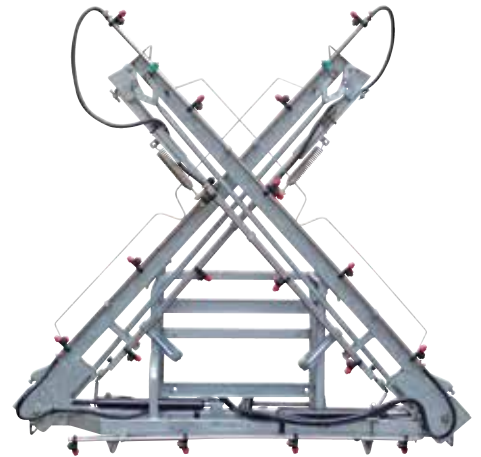
# Devil Booms



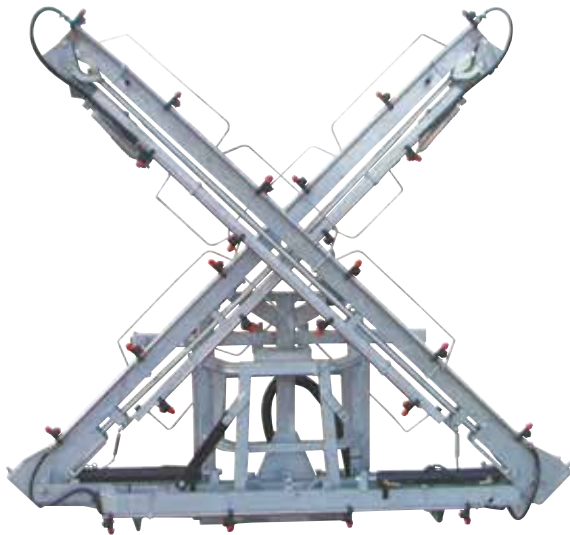
6m Devil boom



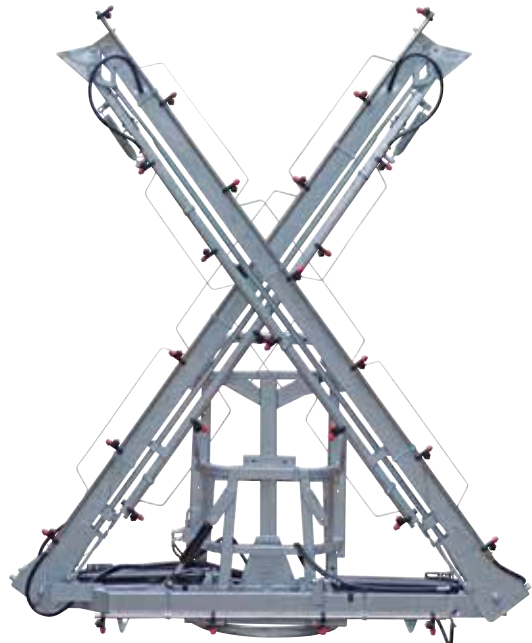
8m Devil boom



10m Devil boom



12m HD Devil boom



14m & 15m HD Devil boom

## DEVIL BOOM SPECIFICATIONS

<b>SIZE</b>	6, 8, 10, 12, 14 and 15m	<b>BOOM ADJUSTMENT</b>	Two independent hydraulic rams. (Folding requires 2 sets of tractor remotes). Spring loaded breakback of outer arm.
<b>CONSTRUCTION</b>	Fully galvanised high-tensile steel truss-section frame.		Hydraulic boom tilt adjustment available on HD Devil booms in lieu of self levelling (requires an extra set of tractor remotes).
<b>SPRAYLINES</b>	Stainless steel spraylines with 50cm nozzle spacings and air induction nozzles.		

MODEL DESCRIPTION	WEIGHT	CODE
6M DEVIL BOOM WITH HYDRAULIC FOLD	60kg	032-19D
8M DEVIL BOOM WITH HYDRAULIC FOLD	120kg	032-25D
10M DEVIL BOOM WITH HYDRAULIC FOLD	133kg	032-32DM
10M HD DEVIL BOOM WITH HYDRAULIC FOLD & SELF LEVELLING	200kg	032-32D
12M HD DEVIL BOOM WITH HYDRAULIC FOLD & SELF LEVELLING	215kg	032-40D
14M HD DEVIL BOOM WITH HYDRAULIC FOLD & SELF LEVELLING	235kg	032-48D
15M HD DEVIL BOOM WITH HYDRAULIC FOLD & SELF LEVELLING	240kg	032-50D

## FACTORY OPTIONS

	CODE
Hydraulic lift, galvanised single hydraulic system for 6, 8 & 10m Devil booms	032-19DL
Hydraulic lift, galvanised single hydraulic system for 10, 12, 14 & 15m Devil booms	032-40DL
Hydraulic lift, airbag suspension system for HD Devil booms	032-40DLAB
Parallelogram/airbag suspension for HD Devil booms	032-40DLAB-2

Note: Extra charges may apply to fitment of some options.