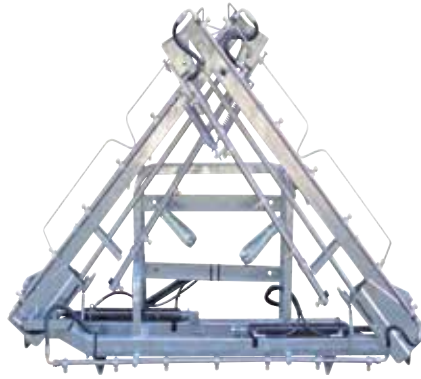


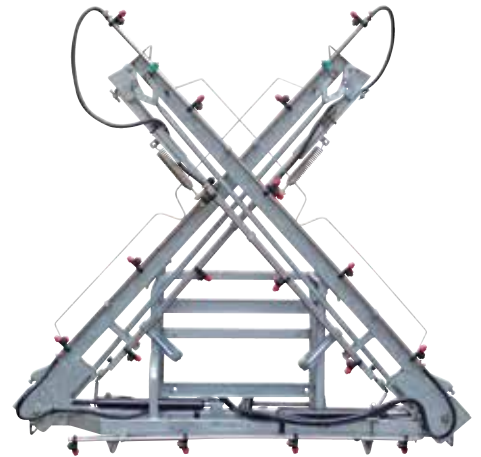
Devil Booms



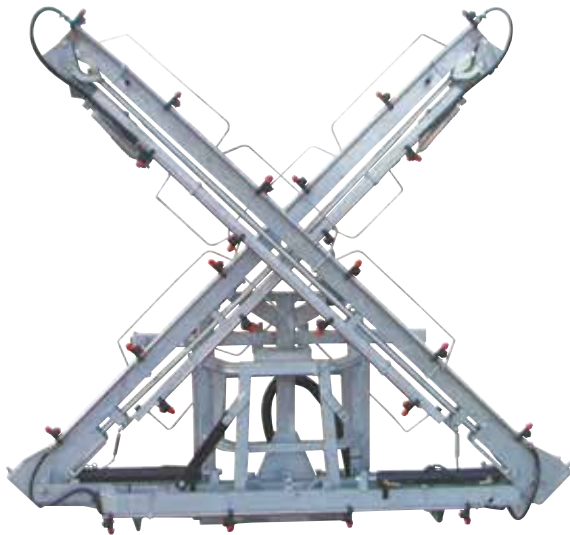
6m Devil boom



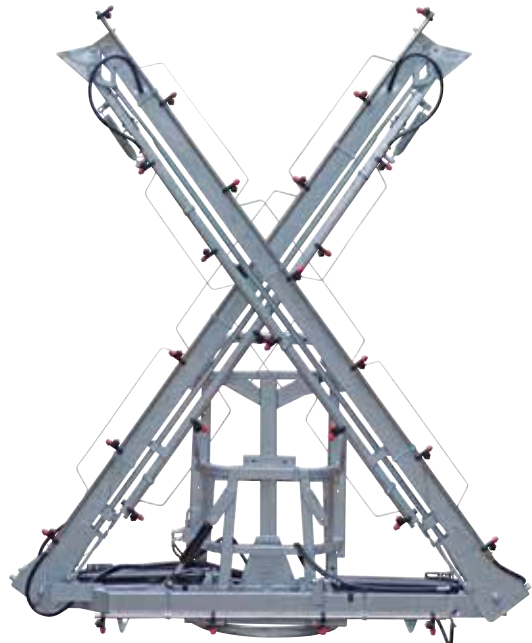
8m Devil boom



10m Devil boom



12m HD Devil boom



14m & 15m HD Devil boom

DEVIL BOOM SPECIFICATIONS

SIZE	6, 8, 10, 12, 14 and 15m	BOOM ADJUSTMENT	Two independent hydraulic rams. (Folding requires 2 sets of tractor remotes). Spring loaded breakback of outer arm.
CONSTRUCTION	Fully galvanised high-tensile steel truss-section frame.		Hydraulic boom tilt adjustment available on HD Devil booms in lieu of self levelling (requires an extra set of tractor remotes).
SPRAYLINES	Stainless steel spraylines with 50cm nozzle spacings and air induction nozzles.		

MODEL DESCRIPTION	WEIGHT	CODE
6M DEVIL BOOM WITH HYDRAULIC FOLD	60kg	032-19D
8M DEVIL BOOM WITH HYDRAULIC FOLD	120kg	032-25D
10M DEVIL BOOM WITH HYDRAULIC FOLD	133kg	032-32DM
10M HD DEVIL BOOM WITH HYDRAULIC FOLD & SELF LEVELLING	200kg	032-32D
12M HD DEVIL BOOM WITH HYDRAULIC FOLD & SELF LEVELLING	215kg	032-40D
14M HD DEVIL BOOM WITH HYDRAULIC FOLD & SELF LEVELLING	235kg	032-48D
15M HD DEVIL BOOM WITH HYDRAULIC FOLD & SELF LEVELLING	240kg	032-50D

FACTORY OPTIONS

	CODE
Hydraulic lift, galvanised single hydraulic system for 6, 8 & 10m Devil booms	032-19DL
Hydraulic lift, galvanised single hydraulic system for 10, 12, 14 & 15m Devil booms	032-40DL
Hydraulic lift, airbag suspension system for HD Devil booms	032-40DLAB
Parallelogram/airbag suspension for HD Devil booms	032-40DLAB-2

Note: Extra charges may apply to fitment of some options.